

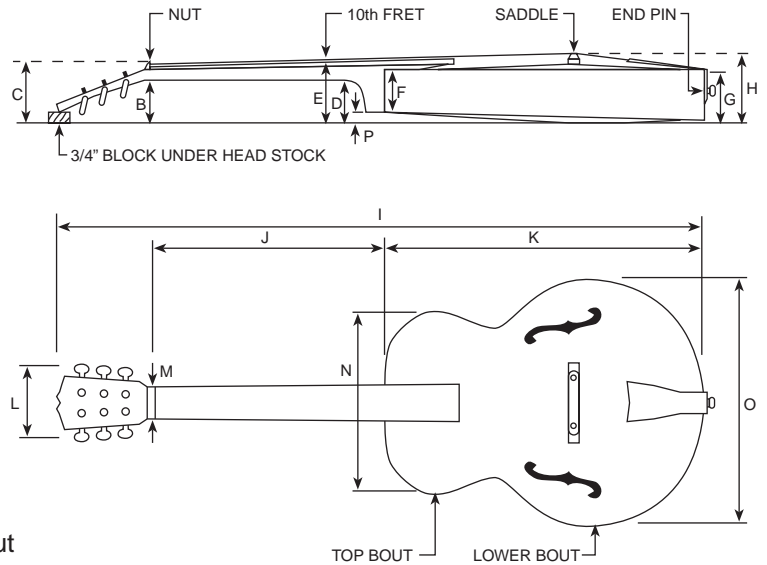


Custom Fitted  
Fibreglass  
Instrument Cases

# ARCH TOP ORDER FORM

(ALSO FOR ACOUSTIC ELECTRIC, HOLLOW BODY ELECTRIC, & ELECTRICS WITH BACK ANGLED HEADSTOCK)

- 3/4" \_\_\_\_\_ A - Table to bottom of Head Stock
- \_\_\_\_\_ B - Table to bottom of Neck
- \_\_\_\_\_ C - Table to top of NUT
- \_\_\_\_\_ D - Table to bottom of Neck at 10th Fret
- \_\_\_\_\_ E - Table to top of String at 10th Fret
- \_\_\_\_\_ F - Depth of Body at Heel
- \_\_\_\_\_ G - Depth of Body at End Pin
- \_\_\_\_\_ H - Table to Top of Saddle
- \_\_\_\_\_ I - Length of Guitar (overall)
- \_\_\_\_\_ J - Length of Neck
- \_\_\_\_\_ K - Length of Body
- \_\_\_\_\_ L - Width of Headstock (Includes Tuners)
- \_\_\_\_\_ M - Width of Neck at Nut
- \_\_\_\_\_ N - Width of Body at widest point of Top Bout
- \_\_\_\_\_ O - Width of Body at widest point of Lower Bout
- \_\_\_\_\_ P - Table to Back of Guitar at the Heel



## MEASURING INSTRUCTIONS

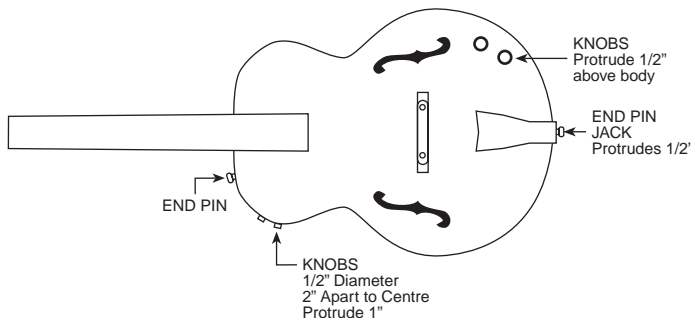
**STEP 1:** Place the instrument on a table and rest the Headstock on a 3/4" block.

**STEP 2:** Take measurements to the nearest 1/16".

**STEP 3:** Make a tracing of the guitar body shape using a reasonable weight paper or light cardboard. Do not use newsprint if at all possible. **CUT OUT YOUR TRACING AND COMPARE IT TO THE BACK OF YOUR GUITAR.** It is important that this tracing is accurate so that we can obtain a good fit for your instrument.

**STEP 4:** Note anything unusual about your guitar. Does it have any external knobs, pickups, strap pins or anything else that will require special cutting of the padding? If so, please include the measurements for these items and note their exact placement on your plans (see example below.)

**STEP 5:** Is your guitar a cutaway? Do you wish to have the cutaway filled with padding or left open for more storage? Please advise us so that we can adjust the padding accordingly.



Name: \_\_\_\_\_

Address: \_\_\_\_\_

City: \_\_\_\_\_

Prov/State: \_\_\_\_\_ Postal/Zip Code: \_\_\_\_\_

Tel: \_\_\_\_\_

S.S.N. (USA only): \_\_\_\_\_

Guitar Make: \_\_\_\_\_

Model: \_\_\_\_\_

Personalized nameplate: 2 lines, up to 10 letters per line. Please print the information as it is to appear on the label:


Please see price list for current prices

STANDARD <input type="checkbox"/> or DELUXE <input type="checkbox"/> Case	
EXTERIOR Color (check one): Red <input type="checkbox"/> Green <input type="checkbox"/> Blue <input type="checkbox"/> White <input type="checkbox"/> Brown <input type="checkbox"/> Black <input type="checkbox"/> Grey <input type="checkbox"/>	
INTERIOR Color (check one): Red <input type="checkbox"/> Green <input type="checkbox"/> Silver <input type="checkbox"/> Beige <input type="checkbox"/> Rose <input type="checkbox"/> Black <input type="checkbox"/> Blue <input type="checkbox"/> Wine <input type="checkbox"/>	
LOCKING CATCHES (Specify how many)	
SHOULDER STRAP	
OTHER	
ANOTHER OTHER	
SHIPPING & HANDLING	
<b>SUBTOTAL</b>	
GST (Canadian Residents Only)	
<b>TOTAL ENCLOSED</b>	